





1. MATERIAL: see 3015 note 1.

2. STAMPING : All glands to be stamped on the circular band in the following manner:

Stamping Detail

HAWKE 501/414 SIZE / THREAD / SEAL TYPE /  I12G0 ExdIIIC  
Exell ExtD - 60 + 100°C Baseefa06ATEX0056X A21 IP66   
IEC Ex BAS06.0013X OL70NA UK 1180 NEMA4X

e.g. HAWKE 501/414 C / 1 1/4"NPT / S /  I12G0 ExdIIIC  
Exell ExtD - 60 + 100°C Baseefa06ATEX0056X A21 IP66   
IEC Ex BAS06.0013X OL70NA UK 1180 NEMA4X

3. FINISH : This component may be coated or plated to suit the application.

4. OPERATING TEMPERATURE : The standard operating temperature range for this gland is -60°C to + 100°C.

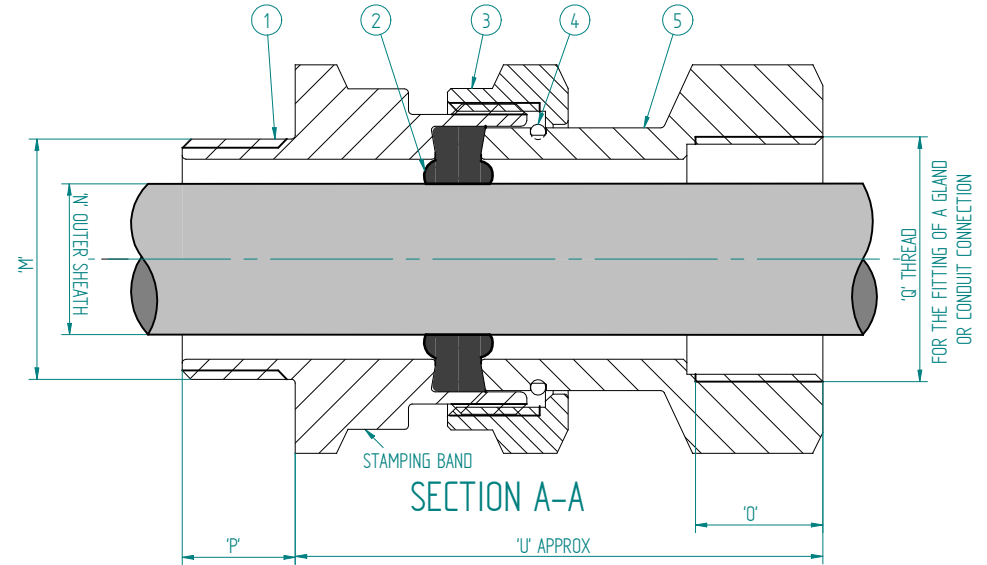
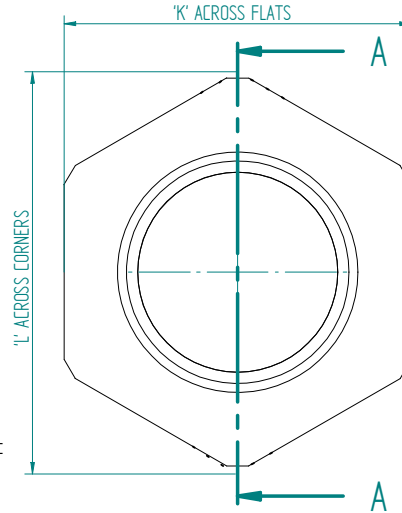
6. SPECIFICATION : In accordance with the relevant requirements of EN60079-0, EN60079-1, EN60079-7, EN 61241-1-1 and IEC60079-0, IEC60079-1, IEC60079-7 and IEC 61241-1-1.

6. CABLE : This gland is suitable for non-armoured and or Elastomer or Plastic insulated cables.

7. VARIATIONS : Alternative gland body can have larger external dimensions with respect to the male coupling thread that are equal or larger to those shown in the table.

9. An option to use the deluge boot, 3000, is available for improved sealing.

Item No.	Part No.	Description	Qty
1	3044	Entry	1
2	3062 Std / 3005 Alt	Seal	1
3	3117	Backnut	1
4	3019	Ring	1
5	3118	Body	1



SIZE REF.	DIMENSIONS		'M' THREAD SIZES Parallel threads are medium fit or better								'P' THREAD LENGTHS				'Q' THREAD SIZES Parallel threads are medium fit or better					'O' THREAD LENGTHS					CABLE SIZES				'U'	
	'K'	'L'	Metric Conduit	ET	Pg	BSPP	BSPT	NPT	NPSM	Metric Imperial PG	BSPP	BSPT	NPT	NPSM	Metric Conduit	Imperial Conduit	Pg	BSPP BSPT	NPT	NPSM	Metric Imperial PG	BSPP	BSPT	NPT	NPSM	STD (3062) SEAL		Alt (3005) (S)		
																										MAX	MIN	MAX		MIN
O's	24	27.7	M16	3/4"	16.0	1/2"	1/2"	1/2"	1/2"	15.0	15.0	18.6	19.9	15.0	M16	3/4"	16.0	1/2"	1/2"	1/2"	15.0	16.0	17.0	18.0	16.0	8	3			69.0
O	24	27.7	M16	3/4"	16.0	1/2"	1/2"	1/2"	1/2"	15.0	15.0	18.6	19.9	15.0	M16	3/4"	16.0	1/2"	1/2"	1/2"	15.0	16.0	17.0	18.0	16.0	11.9	7.5			69.0
A	30.0	34.6	M20	3/4"	16.0	1/2"	1/2"	1/2"	1/2"	15.0	15.0	18.6	19.9	15.0	M20	3/4"	16.0	1/2"	1/2"	1/2"	15.0	16.0	17.0	18.0	16.0	14.3	11.0	13.4	8.5	69.0
B	36.0	41.6	M25	1"	21.0	1"	1"	1"	1"	15.0	20.0	23.7	25.0	20.0	M25	1"	21.0	1"	1"	1"	15.0	16.0	18.1	18.0	16.0	20.2	13.0	15.4	9.5	61.0
C	46.0	53.1	M32	1 1/4"	29.0	1 1/4"	1 1/4"	1 1/4"	1 1/4"	15.0	20.0	23.7	25.0	20.0	M32	1 1/4"	29.0	1 1/4"	1 1/4"	1 1/4"	15.0	20.0	20.2	22.0	21.0	26.5	19.0	21.2	15.5	77.0
C2	55.0	63.5	M40	1 1/2"	36.0	1 1/2"	1 1/2"	1 1/2"	1 1/2"	15.0	20.0	26.0	25.6	20.0	M40	1 1/2"	36.0	1 1/2"	1 1/2"	1 1/2"	15.0	20.0	23.0	22.0	21.0	32.5	25.0	28.0	22.0	79.0
D	65.0	75.1	M50	2"	42.0	2"	2"	2"	2"	15.0	20.0	30.3	26.0	20.0	M50	2"	42.0	2"	2"	2"	15.0	20.0	23.0	22.0	21.0	42.3	31.5	34.8	27.5	105.0
E	80.0	92.4	M63	2 1/2"		2 1/2"	2 1/2"	2"	2 1/2"	15.0	20.0	33.6	26.9	20.0	M63	2 1/2"		2 1/2"	2"	2 1/2"	15.0	20.0	27.0	22.0	21.0	54.3	42.5	46.5	39.0	105.0
F	95.0	109.6	M75	3"		3"	3"	2 1/2"	3"	15.0	20.0	36.8	39.9	20.0	M75	3"		3"	2 1/2"	3"	15.0	20.0	31.0	26.0	21.0	65.3	54.5	58.3	48.5	107.0

A3 THIS IS A CAD DRAWING AND MUST BE EDITED AT SOURCE

**HAWKE**  
International  
OXFORD ST WEST  
ASHTON-U-LYNE  
OL7 0NA  
TEL: +44 (0)161 308 3611

ALL COPYRIGHT RESERVED - HAWKE INTERNATIONAL 2005  
THIS DRAWING AND ALL COPYRIGHT THEREIN IS THE PROPERTY  
OF HAWKE INTERNATIONAL, A DIVISION OF HUBBELL LIMITED.  
(A member of the Hubbell Group of Companies).

(COPYRIGHT CONDITION: THIS DRAWING SHALL BE USED ONLY FOR THE PURPOSE  
FOR WHICH IT IS PROVIDED AND NO REPRODUCTION OR PUBLICATION OF THIS  
DRAWING MAY BE MADE AND NO ARTICLE MAY BE MANUFACTURED OR  
ASSEMBLED IN ACCORDANCE WITH THIS DRAWING WITHOUT THE PRIOR WRITTEN  
CONSENT OF THE OWNER.

REMOVE ALL BURRS AND SHARP EDGES USING MINIMUM CHAMFER OR RADIUS  
PARTICULARLY REMOVE ALL BURRS FROM START AND FINISH OF THREADS

3RD ANGLE  
PROJECTION

DO NOT SCALE IF IN DOUBT ASK

GENERAL TOLERANCES

LINEAR ±  
ANGULAR ±

UNLESS OTHERWISE STATED

NEW BORDER, DWG FORMAT ALTERED, BOM ADDED	A.O.	26/11/04	HCG	05/013	F
Ø AND Ø'S SIZE GLAND ADDED, STAMPING DETAILS 1180 WAS 0600	A.O.	26/11/04	HCG	05/013	C
OPERATING TEMPERATURE RANGE WAS -60 TO +80°C, NOW -60 TO +100°C.	A.O.	02/05/01	HCG	01/012	B
FIRST ISSUE	A.O.	02/05/01	HCG	01/012	A
MODIFICATION	DATE/SIG	DCN	ISSUE		

DRN	BR	TITLE
		GENERAL ARRANGEMENT FOR 501/414 CONDUIT STOPPER BOX (USING COMPRESSION SEAL)
CHD	A.O.	
DATE	02/05/01	
UNITS	mm	

DRG. No.	501/414
SCALE	N.T.S
SHEET	1 OF 1